

## 150-WVCP

Hand Held Shower Fitting

### PRODUCT TYPE

Hand held shower fitting

### FEATURES & SPECIFICATIONS

- 60" white vinyl hose length
- Built-in flow control with 2.5 GPM (9.5 L/min) flow rate
- Hand spray
- 1/2" NSPM female inlet
- Wall hook
- Mounting hardware included

### PERFORMANCE SPECIFICATION

- Rated Operating Pressure: 20-125 PSI
- Rated Operating Temperature: 40-140° F

### WARRANTY

- 1-Year Manufacturing Defect Warranty
- 1-Year Limited Finish Warranty

### COMPLIANT TO

- ASME A112.18.1M
- CSA B125

Job Name	_____
Item Number	_____
Section/Tag	_____
Model Specified	_____
Architect	_____
Engineer	_____
Contractor	_____
<input type="checkbox"/> Submitted as Shown	<input type="checkbox"/> Submitted with Variations
Date	_____

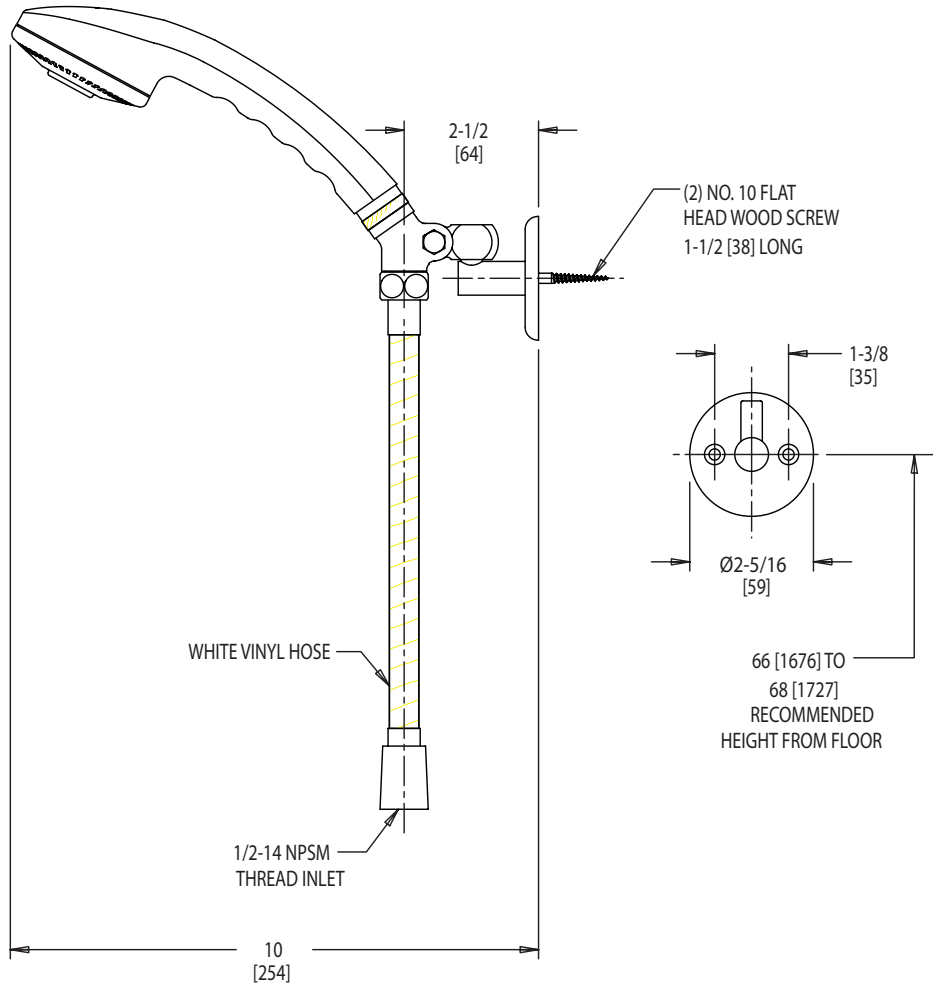


# 150-WVCP

Hand Held Shower Fitting

## ARCHITECT/ENGINEER SPECIFICATION

Chicago Faucets No. 150-WVCP, 60" white vinyl hose length with hand spray. Built-in flow control with 2.5 GPM (9.5 L/min) flow rate. 1/2" NPSM female inlet. Wall hook and mounting hardware included. This product is tested and certified to industry standards: ASME A112.18.1 and CSA B125.



## OPERATION AND MAINTENANCE

Installation should be in accordance with local plumbing codes. Flush all pipes thoroughly before installation. After installation, remove spout outlet or flow control and flush faucet thoroughly to clear any debris. Care should be taken when cleaning this product. Do not use abrasive cleaners, chemicals or solvents as they can result in surface damage. Use mild soap and warm water for cleaning and protecting the life of Chicago Faucet products. For specific operation and maintenance refer to the installation instructions and repair parts documents that are located at [www.chicagofaucets.com](http://www.chicagofaucets.com).

Chicago Faucets, member of the Geberit Group, is the leading brand of commercial faucets and fittings in the United States, offering a complete range of products for schools, laboratories, hospitals, office buildings, food service, airports and sport facilities. Call 1.800.TECTRUE or 1.847.803.5000 Option 1 for installation or other technical assistance.