

## 1762-CP

### Pressure Balance Shower Valve

#### PRODUCT TYPE

Pressure balance shower valve

#### FEATURES & SPECIFICATIONS

- Polished chrome plated finish
- Solid brass body construction
- Shower head, arm and flange, catalog #620A
- 2.5 GPM maximum pressure @ 80 PSI
- Lever control handle, catalog #239
- Pressure balancing cartridge provides protection from fluctuations in water pressure to help reduce risk of scalding
- Control valve:
  - 1/2" female copper sweat hot and cold supply inlets
  - 1/2" female copper sweat shower outlet
  - 1/2" copper plug for tub outlet
- Shower arm with 1/2" NPT male inlet
- Shower valve cycles from hot to cold
- Temperature limit stop

#### PERFORMANCE SPECIFICATION

- Rated Operating Pressure: 20-125 PSI
- Rated Operating Temperature: 40-140° F

#### WARRANTY

- Lifetime Limited Faucet Warranty
- 5-Year Limited Cartridge Warranty
- 1-Year Limited Finish Warranty

#### COMPLIANT TO

- ASME A112.18.1M
- CSA B125
- ASSE 1016
- ADA

Job Name	_____
Item Number	_____
Section/Tag	_____
Model Specified	_____
Architect	_____
Engineer	_____
Contractor	_____
<input type="checkbox"/> Submitted as Shown	<input type="checkbox"/> Submitted with Variations
Date	_____



# 1762-CP

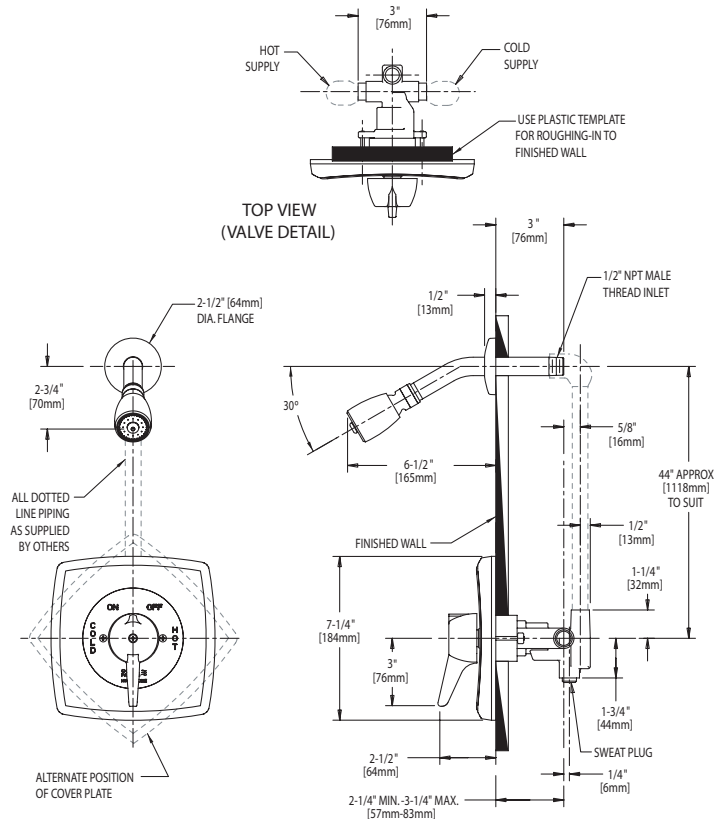
## Pressure Balance Shower Valve

**CHICAGO  
FAUCETS**

a Geberit company

### ARCHITECT/ENGINEER SPECIFICATION

Chicago Faucets No. 1762-CP, Polished chrome plated solid cast brass construction. Shower head, arm and flange. Lever control handle. Pressure balancing cartridge provides protection from fluctuations in water pressure to help reduce risk of scalding. 1/2" female copper sweat hot and cold supply inlets, 1/2" female copper sweat shower outlet, 1/2" copper sweat plug for tub outlet. Shower arm with 1/2" NPT male inlet. This product meets ADA requirements and is tested and certified to ASME A112.18.1 and CSA B125 industry standards.



### OPERATION AND MAINTENANCE

Installation should be in accordance with local plumbing codes. Flush all pipes thoroughly before installation. After installation, remove spout outlet or flow control and flush faucet thoroughly to clear any debris. Care should be taken when cleaning this product. Do not use abrasive cleaners, chemicals or solvents as they can result in surface damage. Use mild soap and warm water for cleaning and protecting the life of Chicago Faucet products. For specific operation and maintenance refer to the installation instructions and repair parts documents that are located at [www.chicagofaucets.com](http://www.chicagofaucets.com).

Chicago Faucets, member of the Geberit Group, is the leading brand of commercial faucets and fittings in the United States, offering a complete range of products for schools, laboratories, hospitals, office buildings, food service, airports and sport facilities. Call 1.800.TECTRUE or 1.847.803.5000 Option 1 for installation or other technical assistance.

2100 South Clearwater Drive  
Des Plaines, IL 60018  
P: 847/803-5000  
F: 847/803-5454  
Technical: 800/TEC-TRUE  
[www.chicagofaucets.com](http://www.chicagofaucets.com)

