

621-CP

Wall Mounted Shower Head

PRODUCT TYPE

Wall mounted institutional shower head

FEATURES & SPECIFICATIONS

- Polished chrome plated finish
- Solid brass body construction
- 2.0 GPM @ 60 PSI
- Pressure compensating integral flow control
- Field adjustable for 20° or 30° spray angle
- Four vandal resistant mounting and spray screws
- Tamper resistant for institutional use
- 1/2" NPT female inlet
- Mounting hardware included

PERFORMANCE SPECIFICATION

- Rated Supply Operating: 20-125 PSI
- Rated Operating Temperature: 40-140° F

WARRANTY

- Lifetime Limited Faucet Warranty
- 5-Year Limited Cartridge Warranty
- 1-Year Limited Finish Warranty

COMPLIANT TO

- ASME A112.18.1M
- CSA B125

Job Name	_____
Item Number	_____
Section/Tag	_____
Model Specified	_____
Architect	_____
Engineer	_____
Contractor	_____
<input type="checkbox"/> Submitted as Shown	<input type="checkbox"/> Submitted with Variations
Date	_____

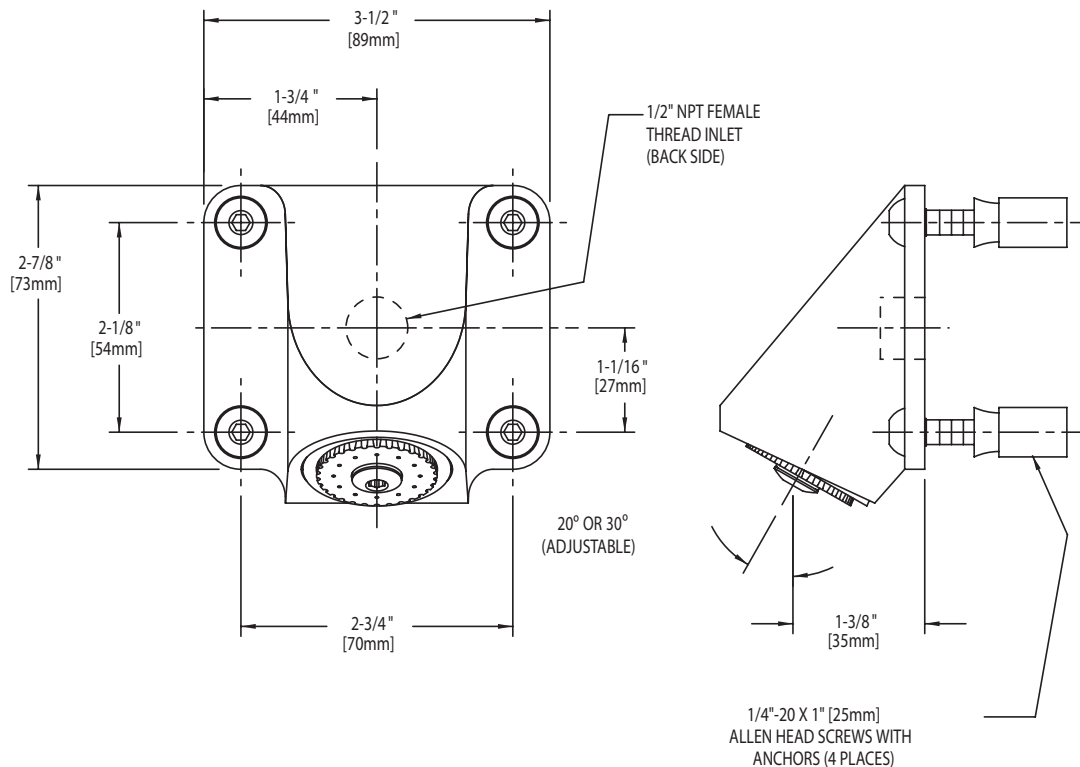


621-CP

Wall Mounted Shower Head

ARCHITECT/ENGINEER SPECIFICATION

Chicago Faucets No. 621-CP, Polished chrome plated solid brass body. 2.0 GPM pressure @ 60 PSI. Pressure compensating flow control and field adjustable for 20° or 30° spray angle. Vandal resistant mounting and spray screws. Tamper resistant design for institutional use. 1/2" NPT female inlet. Mounting hardware included. This product is tested and certified to industry standards: ASME A112.18.1 and CSA B125.



OPERATION AND MAINTENANCE

Installation should be in accordance with local plumbing codes. Flush all pipes thoroughly before installation. After installation, remove spout outlet or flow control and flush faucet thoroughly to clear any debris. Care should be taken when cleaning this product. Do not use abrasive cleaners, chemicals or solvents as they can result in surface damage. Use mild soap and warm water for cleaning and protecting the life of Chicago Faucet products. For specific operation and maintenance refer to the installation instructions and repair parts documents that are located at www.chicagofaucets.com.

Chicago Faucets, member of the Geberit Group, is the leading brand of commercial faucets and fittings in the United States, offering a complete range of products for schools, laboratories, hospitals, office buildings, food service, airports and sport facilities. Call 1.800.TECTRUE or 1.847.803.5000 Option 1 for installation or other technical assistance.