

Needle Valves

Product Type

Deck Mounted Single Needle Valves Turret with Single Needle Valve

Features & Specifications

- Single Needle Valves
- Full Flow Nozzle
- 2-1/2" Cross Handle
- Needle Valve Compression Operating Cartridge
- 3/8" NPT Female Thread Inlet
- May Be Used with Most Laboratory Gases
- 937 Valve is Certified for Gas Service per ANSI Z21.15b-2006/CSA 9.1b-2006 by the Canadian Standards Association

Performance Specification

- Rated Operating Pressure: PSI
 - 0-0.5 PSI**
- Compatibility by Service (Maximum Pressure):
- Acetylene (125 PSI)
 - Ammonia (125 PSI)
 - Argon (125 PSI)
 - Butane (125 PSI)
 - Carbon Dioxide (125 PSI)
 - Carbon Monoxide (125 PSI)
 - Helium (125 PSI)
 - Hydrogen (125 PSI)
 - Natural Gas (125 PSI)
 - Methane (125 PSI)
 - Nitrogen (125 PSI)
 - Propane (125 PSI)
 - Air (125 PSI)
 - Compressed Air (125 PSI)

Warranty

- Lifetime Limited Faucet Warranty
- 5-Year Limited Cartridge Warranty
- 1-Year Limited Finish Warranty

Codes & Standards

- **ANSI Z21.15b-2006/CSA 9.1b-2006

Job Name _____

Item Number _____

Section/Tag _____

Model Specified _____

Architect _____

Engineer _____

Contractor _____

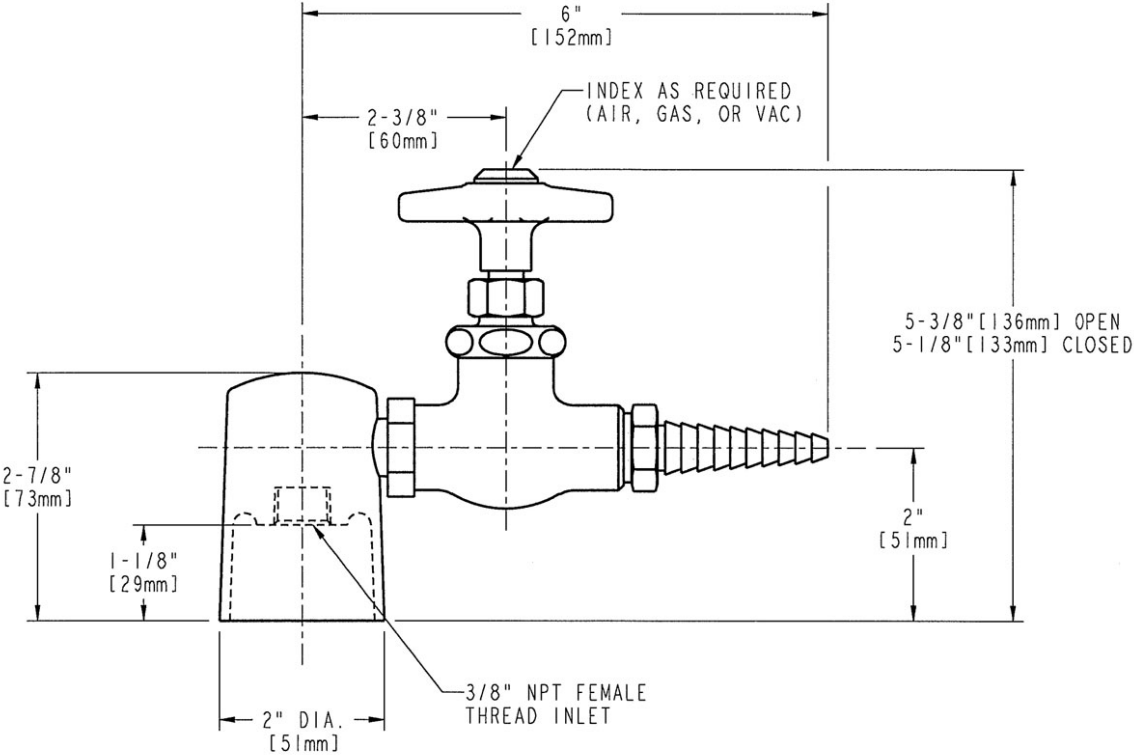
Submitted as Shown Submitted with Variations

Date _____



Architect/Engineer Specification

Chicago Faucets No. 980-937CHAGVCP, Deck Mounted Single Needle Valves Turret with Single Needle Valve, Chrome Plated solid brass construction. Full Flow Laboratory Serrated Nozzle. 2-1/2" Metal Cross handle(s) with Eight Point Tapered Broach and AIR, GAS or VAC Button. 3/8" NPT Female Thread Inlet. May Be Used with Most Laboratory Gases. 937 Valve is Certified for Gas Service per ANSI Z21.15b-2006/CSA 9.1b-2006 by the Canadian Standards Association. .



Operation and Maintenance

Installation should be in accordance with local plumbing codes. Flush all pipes thoroughly before installation. After installation, remove spout outlet or flow control and flush faucet thoroughly to clear any debris. Care should be taken when cleaning the product. Do not use abrasive cleaners, chemicals or solvents as they can result in surface damage. Use mild soap and warm water for cleaning and protecting the life of Chicago Faucet products. For specific operation and maintenance refer to the installation instructions and repair parts documents that are located at www.chicagofaucets.com.

Chicago Faucets, member of the Geberit Group, is the leading brand of commercial faucets and fittings in the United States, offering a complete range of products for schools, laboratories, hospitals, office buildings, food service, airports and sport facilities. Call 1.800.TECTRUE or 1.847.803.5000 Option 1 for installation or other technical assistance.



2100 South Clearwater Drive
 Des Plaines, IL
 P: 847/803-5000
 F: 847/803-5454
 Technical: 800/TEC-TRUE
www.chicagofaucets.com