

# MECHANICAL FAUCETS

## 982-VR909CAGCP

### Ball Valves

#### Product Type

Deck Mounted Multiple Ball Valves Turret with Two Ball Valves @ 90° with Check

#### Features & Specifications

- Multiple Ball Valves
- Full Flow Nozzle
- Shank Assembly, Male Thread
- May Be Used with Most Laboratory Gases
- All Threaded Connections Factory Assembled
- Anti-Rotational Body Deck Pin to Prevent Turning
- 909 VALVE IS CERTIFIED FOR GAS SERVICE PER ANSI Z21.15B-2006/CSA BY THE CANADIAN STANDARDS ASSOCIATION
- CFNow! Item Ships in 5 Days

#### Performance Specification

- Rated Operating Pressure: 0-0.5 PSI

#### Warranty

- Lifetime Limited Faucet Warranty
- 5-Year Limited Cartridge Warranty
- 1-Year Limited Finish Warranty

Job Name \_\_\_\_\_

Item Number \_\_\_\_\_

Section/Tag \_\_\_\_\_

Model Specified \_\_\_\_\_

Architect \_\_\_\_\_

Engineer \_\_\_\_\_

Contractor \_\_\_\_\_

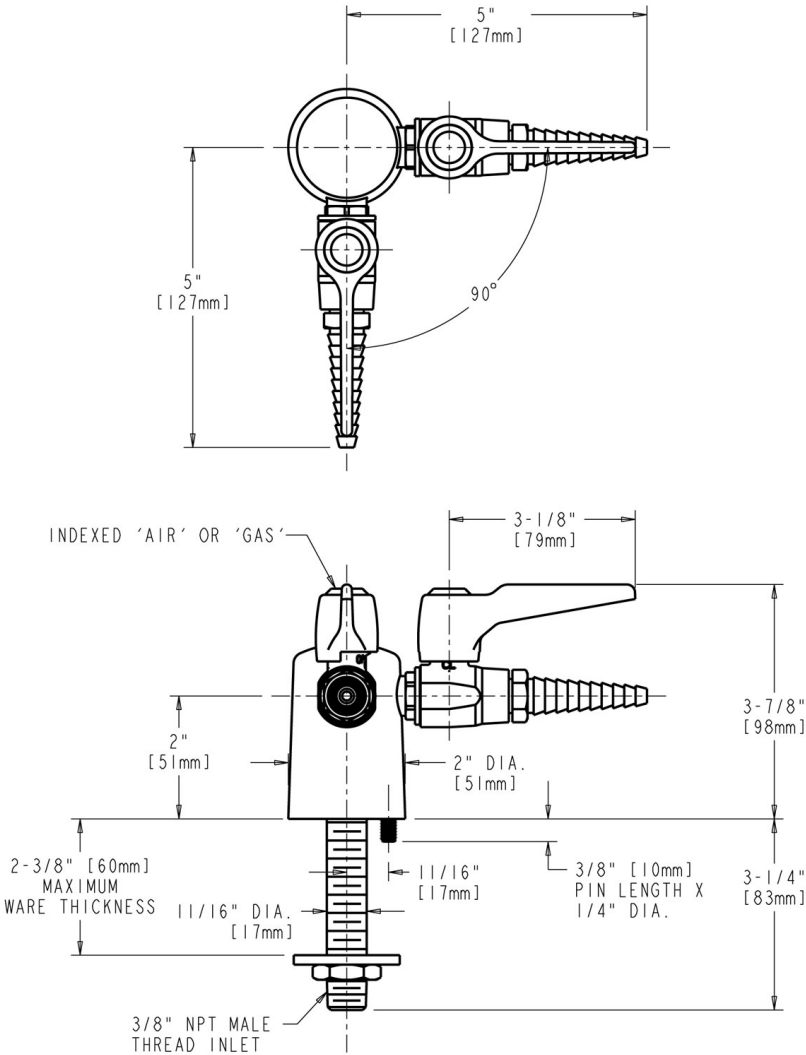
Submitted as Shown       Submitted with Variations

Date \_\_\_\_\_



### Architect/Engineer Specification

Chicago Faucets No. 982-VR909CAGCP, Deck Mounted Multiple Ball Valves Turret with Two Ball Valves @ 90° with Check, Chrome Plated solid brass construction. Full Flow Laboratory Serrated Nozzle. Shank Assembly, Male Thread. May Be Used with Most Laboratory Gases. All Threaded Connections Factory Assembled. Anti-Rotational Body Deck Pin to Prevent Turning. 909 VALVE IS CERTIFIED FOR GAS SERVICE PER ANSI Z21.15B-2006/CSA BY THE CANADIAN STANDARDS ASSOCIATION. Mounting hardware included.



### Operation and Maintenance

Installation should be in accordance with local plumbing codes. Flush all pipes thoroughly before installation. After installation, remove spout outlet or flow control and flush faucet thoroughly to clear any debris. Care should be taken when cleaning the product. Do not use abrasive cleaners, chemicals or solvents as they can result in surface damage. Use mild soap and warm water for cleaning and protecting the life of Chicago Faucet products. For specific operation and maintenance refer to the installation instructions and repair parts documents that are located at [www.chicagofaucets.com](http://www.chicagofaucets.com).

Chicago Faucets, member of the Geberit Group, is the leading brand of commercial faucets and fittings in the United States, offering a complete range of products for schools, laboratories, hospitals, office buildings, food service, airports and sport facilities. Call 1.800.TECTRUE or 1.847.803.5000 Option 1 for installation or other technical assistance.



2100 South Clearwater Drive  
 Des Plaines, IL  
 P: 847/803-5000  
 F: 847/803-5454  
 Technical: 800/TEC-TRUE  
[www.chicagofaucets.com](http://www.chicagofaucets.com)