

987-WSV909AGVSAM

Combo Valve & Flange

PRODUCT TYPE

"Y" Pattern wall flange with two ball valves @ 90°

FEATURES & SPECIFICATIONS

- Chemical resistant satin antimicrobial finish utilizing a silver ion, glass matrix technology
- Solid brass construction
- Two ball valves with gas, air and vac index buttons, catalog #909
- Removable serrated hose nozzle, catalog #E7T
- 3/8" NPT inlet shank assembled to flange, catalog #979-001K

PERFORMANCE SPECIFICATION

- Rated Operating Pressure: 20-125 PSI
- Rated Operating Temperature: 40-140° F
- The antimicrobial protection is formulated to last beyond the useful life of the product on an undamaged surface

WARRANTY

- Lifetime Limited Warranty
- 1-Year Limited Finish Warranty

COMPLIANT TO

- ADA ANSI/ICC A117.1
- 909 Laboratory Gas Valve is certified to comply with ANSI Z21.15b-2006/CSA 9.1b-2006 by the Canadian Standards Association

Job Name	_____
Item Number	_____
Section/Tag	_____
Model Specified	_____
Architect	_____
Engineer	_____
Contractor	_____
<input type="checkbox"/> Submitted as Shown	<input type="checkbox"/> Submitted with Variations
Date	_____

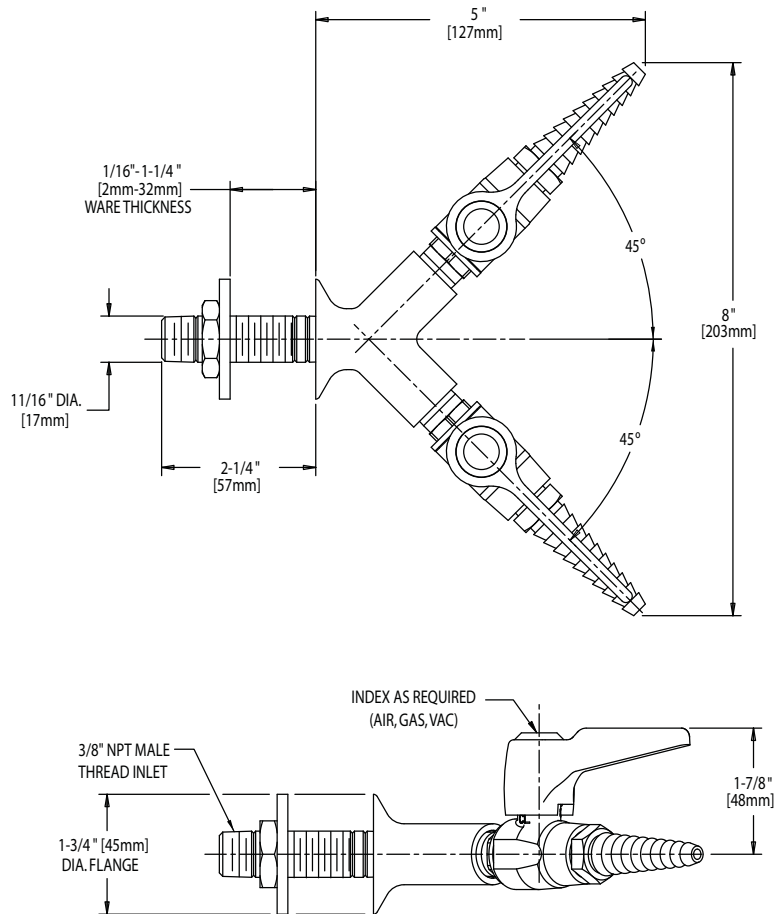


987-WSV909AGVSAM

Combo Valve & Flange

ARCHITECT/ENGINEER SPECIFICATION

Chicago Faucets No. 987-WSV909AGVSAM, Chemical resistant satin antimicrobial coating, solid brass construction. "Y" Pattern wall flange with two ball valves at 90° with gas, air and vac index buttons. Removable serrated hose nozzle. 3/8" NPT inlet shank assembled to flange. This product meets ADA ANSI/ICC A117.1 requirements and the 909 Laboratory Gas Valve is certified to comply with ANSI Z21.15b-2006/CSA 9.1b-2006 by the Canadian Standards Association.



OPERATION AND MAINTENANCE

Installation should be in accordance with local plumbing codes. Flush all pipes thoroughly before installation. After installation, remove spout outlet or flow control and flush faucet thoroughly to clear any debris. Care should be taken when cleaning this product. Do not use abrasive cleaners, chemicals or solvents as they can result in surface damage. Use mild soap and warm water for cleaning and protecting the life of Chicago Faucet products. For specific operation and maintenance refer to the installation instructions and repair parts documents that are located at www.chicagofaucets.com.

Chicago Faucets, member of the Geberit Group, is the leading brand of commercial faucets and fittings in the United States, offering a complete range of products for schools, laboratories, hospitals, office buildings, food service, airports and sport facilities. Call 1.800.TECTRUE or 1.847.803.5000 Option 1 for installation or other technical assistance.

