

**116.221.AB.1****HyTronic™ Traditional Deck Mounted Single Hole Faucet - DC****PRODUCT TYPE**

Deck mounted single hole faucet

**FEATURES & SPECIFICATIONS**

- Polished chrome plated finish
- ECAST™ design provides durable brass construction with total lead content less than 0.25% by weighted average
- Efficient dual beam infrared sensors
- Cast brass spout
- .5 GPM (1.9 L/min) vandal resistant spray outlet, catalog #E2805-5
- Includes optional 2.2 GPM (8.3 L/min) pressure compensating aerator insert
- Inlet supply check valves
- Multiple field adjustable modes and ranges
- 6 V Lithium CRP2 battery included
- Low battery indicator
- User adjustable temperature control mixer
- Dual supply for hot and cold water service
- Above deck hermetically sealed electronics
- Above deck water-tight solenoid with filter screen
- Free spinning flexible braided stainless steel supply hoses with filter screens
- Geberit Commander™ software compatible
- Mounting hardware included

**OPTIONAL ACCESSORIES**

- 4" C-C Trim cover plate
- 8" C-C Trim cover plate
- Copper inlet tube
- Thermostatic mixing valve

**PERFORMANCE SPECIFICATION**

- Rated Operating Pressure: 20-125 PSI
- Rated Operating Temperature: 40-140° F
- 3-Year Battery Life or Approximately 200,000 Uses

**WARRANTY**

- 5-Year Limited Mechanicals Warranty
- 3-Year Limited Electronics and Solenoid Warranty
- 1-Year Limited Finish Warranty

**COMPLIANT TO**

- CA AB1953 (2006)
- ASME A112.18.1M
- ADA ANSI/ICC A117.1
- VT S.152
- CSA B125

|   |  |
|---|--|
| Job Name                                    | _____  |
| Item Number                                 | _____  |
| Section/Tag                                 | _____  |
| Model Specified                             | _____  |
| Architect                                   | _____  |
| Engineer                                    | _____  |
| Contractor                                  | _____  |
| <input type="checkbox"/> Submitted as Shown | <input type="checkbox"/> Submitted with Variations |
| Date  | _____  |

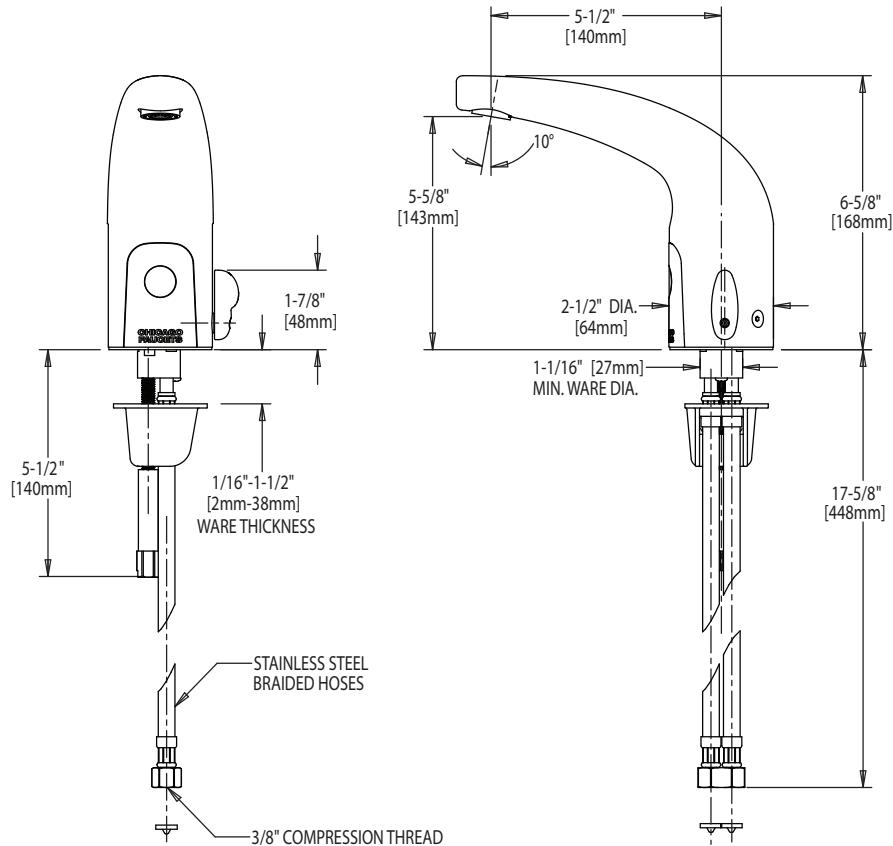


## 116.221.AB.1

### HyTronic™ Traditional Deck Mounted Single Hole Faucet - DC

#### ARCHITECT/ENGINEER SPECIFICATION

Chicago Faucets No. 116.221.AB.1, Polished chrome plated. 6 V Lithium CRP2 battery (included). Low battery indicator. Cast brass spout with .5 GPM vandal resistant spray outlet. Multiple field adjustable modes and ranges. Dual supply for hot and cold water service. User adjustable temperature control mixer. Above deck hermetically sealed electronics module and solenoid with filter screen. Inlet supply check valves. Free spinning flexible stainless steel supply hoses with filter screens. Mounting hardware included. This product meets ADA ANSI/ICC A117.1 requirements and is tested and certified to industry standards: ASME A112.18.1, CSA B125, CA AB1953 (2006) and VT S.152.



#### OPERATION AND MAINTENANCE

Installation should be in accordance with local plumbing codes. Flush all pipes thoroughly before installation. After installation, remove spout outlet or flow control and flush faucet thoroughly to clear any debris. Care should be taken when cleaning this product. Do not use abrasive cleaners, chemicals or solvents as they can result in surface damage. Use mild soap and warm water for cleaning and protecting the life of Chicago Faucet products. For specific operation and maintenance refer to the installation instructions and repair parts documents that are located at [www.chicagofaucets.com](http://www.chicagofaucets.com).

Chicago Faucets, member of the Geberit Group, is the leading brand of commercial faucets and fittings in the United States, offering a complete range of products for schools, laboratories, hospitals, office buildings, food service, airports and sport facilities. Call 1.800.TECTRUE or 1.847.803.5000 Option 1 for installation or other technical assistance.

2100 South Clearwater Drive  
Des Plaines, IL 60018  
P: 847/803-5000  
F: 847/803-5454  
Technical: 800/TEC-TRUE  
[www.chicagofaucets.com](http://www.chicagofaucets.com)

