

802-LESSHDLABCP

Deck Mounted - 4" Centers

PRODUCT TYPE

Deck mounted faucet with 4" integral spout less handles

FEATURES & SPECIFICATIONS

- Polished chrome plated finish
- Solid brass construction
- ECAST design provides durable brass construction with total lead content less than 0.25% by weighted average
- Rigid valve bodies
- 4" C-C Integral spout
- 2.2 GPM (8.3 L/min) pressure compensating aerator outlet, catalog #E12
- Quatern™ quarter-turn renewable compression cartridge that closes with water pressure with tapered square broach to facilitate handle removal, catalog #1-100XT and #1-099XT
- 1/2" NPSM supply inlets with coupling nuts for 3/8" or 1/2" flexible risers
- Mounting hardware included

PERFORMANCE SPECIFICATION

- Rated Operating Pressure: 20-125 PSI
- Rated Operating Temperature: 40-140° F

WARRANTY

- Lifetime Limited Faucet Warranty
- 5-Year Limited Cartridge Warranty
- 1-Year Limited Finish Warranty

COMPLIANT TO

- California Plumbing Law (AB1953)
- NSF 61, Sec. 9
- CSA AB1953
- ASME A112.18.1
- ADA

Job Name	_____
Item Number	_____
Section/Tag	_____
Model Specified	_____
Architect	_____
Engineer	_____
Contractor	_____
<input type="checkbox"/> Submitted as Shown	<input type="checkbox"/> Submitted with Variations
Date	_____

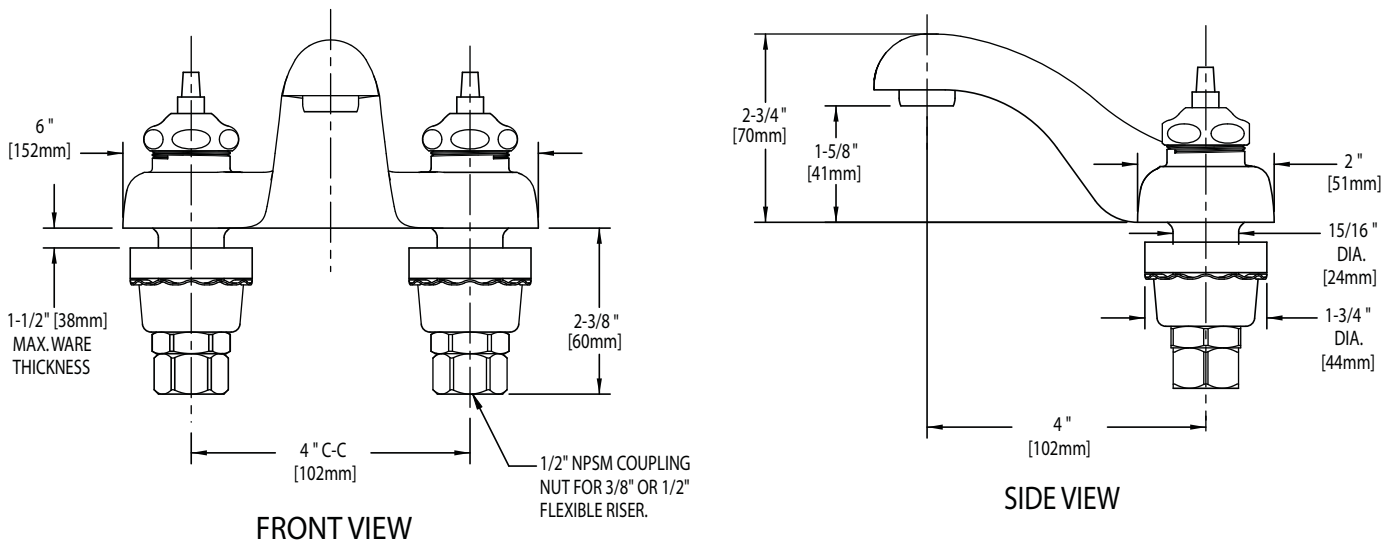


802-LESSHDLABCP

Deck Mounted - 4" Centers

ARCHITECT/ENGINEER SPECIFICATION

Chicago Faucets No. 802-LESSHDLABCP, Polished chrome plated solid cast brass body construction with integral 4" C-C spout and integral inlet shanks on 4" centers. 2.2 GPM pressure compensating aerator outlet. Quatum™ quarter-turn renewable compression cartridge designed to close with water pressure with square tapered broach feature to help facilitate handle removal. Inlet shanks contain standard 1/2" NPSM threaded inlets with coupling nuts for connection to 3/8" or 1/2" standard flexible risers. Mounting hardware included. This product meets ADA requirements and is tested and certified to industry standards: ASME A112.18.1, NSF 61 Sec. 9, CSA AB1953 and California Lead Plumbing Law (AB1953).



OPERATION AND MAINTENANCE

Installation should be in accordance with local plumbing codes. Flush all pipes thoroughly before installation. After installation, remove spout outlet or flow control and flush faucet thoroughly to clear any debris. Care should be taken when cleaning this product. Do not use abrasive cleaners, chemicals or solvents as they can result in surface damage. Use mild soap and warm water for cleaning and protecting the life of Chicago Faucet products. For specific operation and maintenance refer to the installation instructions and repair parts documents that are located at www.chicagofaucets.com.

ECAST™, from Chicago Faucets, is the line of durable, high-quality brass faucets and fixtures that are designed and manufactured with less than one quarter of one percent (0.25%) total lead content by weighted average. These products are intended for installation where state laws and local codes mandate lead content levels or in any location where lead content is a concern.



2100 South Clearwater Drive
Des Plaines, IL 60018
P: 847/803-5000
F: 847/803-5454
Technical: 800/TEC-TRUE
www.chicagofaucets.com