

802-VE2805-336CP

Deck Mounted Metering Faucet with 4" Integral Spout

PRODUCT TYPE

Deck mounted metering faucet with 4" integral spout

FEATURES & SPECIFICATIONS

- Polished chrome plated finish
- Solid brass body construction
- 4" C-C Integral spout
- .5 GPM (1.9 L/min) pressure compensating vandal resistant outlet projects a conical spray pattern, catalog #E2805
- Push-tilt vandal resistant handle with hot and cold water index, catalog #336
- NAIAD™ self-closing adjustable metering cartridge, catalog #335-X
- 0.25 Gal/Cycle Max.
- 1/2" NPSM supply inlets with coupling nuts for 3/8" or 1/2" flexible risers
- Mounting hardware included

PERFORMANCE SPECIFICATION

- Rated Operating Pressure: 20-125 PSI
- Rated Operating Temperature: 40-140° F

WARRANTY

- Lifetime Limited Faucet Warranty
- 5-Year Limited Cartridge Warranty
- 1-Year Limited Finish Warranty

COMPLIANT TO

- ASME A112.18.1
- CSA B125
- NSF 61, Sec. 9
- ADA

Job Name	_____
Item Number	_____
Section/Tag	_____
Model Specified	_____
Architect	_____
Engineer	_____
Contractor	_____
<input type="checkbox"/> Submitted as Shown	<input type="checkbox"/> Submitted with Variations
Date	_____



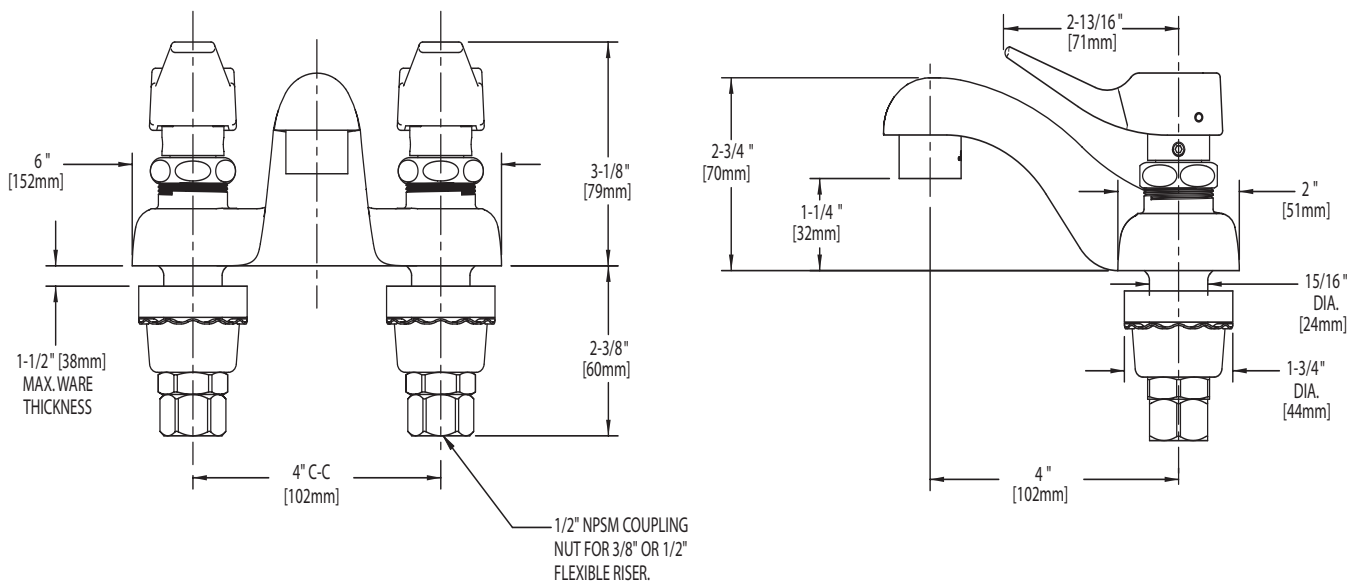
802-VE2805-336CP

Deck Mounted Self-Closing Faucet with 4" Integral Spout



ARCHITECT/ENGINEER SPECIFICATION

Chicago Faucets No. 802-VE2805-336CP, Polished chrome plated solid cast brass body construction with integral 4" C-C spout and integral inlet shanks on 4" centers, .5 GPM pressure compensating vandal resistant outlet projects conical spray pattern, push-tilt vandal resistant metal handle with hot and cold water index, 0.25 gal/cycle self closing adjustable metering cartridge. Inlet shanks contain standard 1/2" NPSM threaded inlets with coupling nuts for connection to 3/8" or 1/2" standard flexible risers. Mounting hardware included. This product meets ADA requirements and is tested and certified to industry standards: ASME A112.18.1, NSF 61, Sec. 9 and CSA B125.



OPERATION AND MAINTENANCE

Installation should be in accordance with local plumbing codes. Flush all pipes thoroughly before installation. After installation, remove spout outlet or flow control and flush faucet thoroughly to clear any debris. Care should be taken when cleaning this product. Do not use abrasive cleaners, chemicals or solvents as they can result in surface damage. Use mild soap and warm water for cleaning and protecting the life of Chicago Faucet products. For specific operation and maintenance refer to the installation instructions and repair parts documents that are located at www.chicagofaucets.com.

Chicago Faucets, member of the Geberit Group, is the leading brand of commercial faucets and fittings in the United States, offering a complete range of products for schools, laboratories, hospitals, office buildings, food service, airports and sport facilities. Call 1.800.TECTRUE or 1.847.803.5000 Option 1 for installation or other technical assistance.



2100 South Clearwater Drive
Des Plaines, IL 60018
P: 847/803-5000
F: 847/803-5454
Technical: 800/TEC-TRUE
www.chicagofaucets.com