

**CHICAGO  
FAUCETS** 

a Geberit company

2100 South Clearwater Drive  
Des Plaines, IL 60018  
Phone: 847-803-5000  
Fax: 847-803-5454  
www.chicagofaucets.com

**REPAIR  
PARTS**

BY: SID DATE: 10-02-12

CHK:  REV:

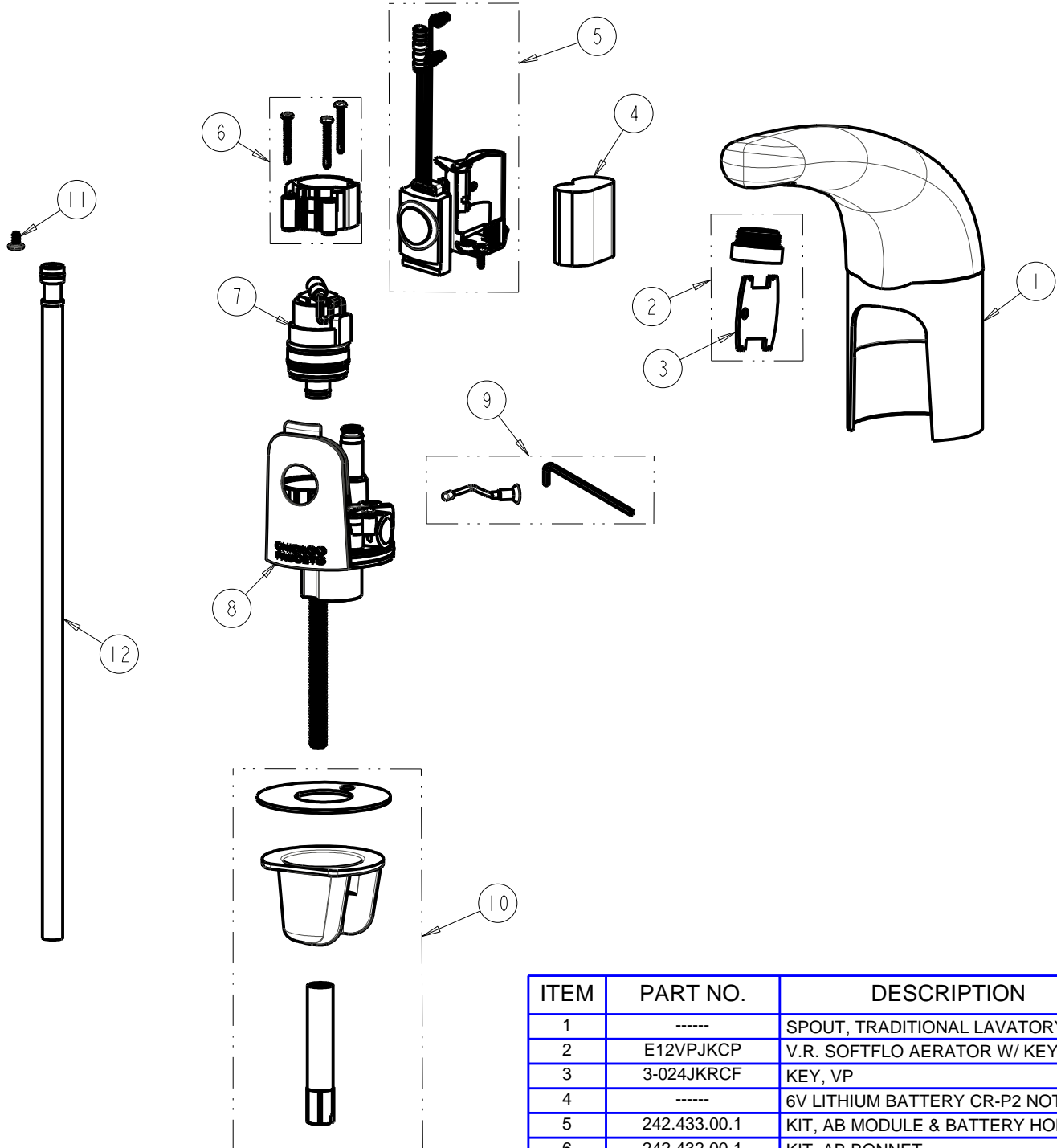
FITTING NO.

116.590.AB.1

SUBMITTED MODEL NO.

ITEM NO.

**FOR TECHNICAL ASSISTANCE**  
1-800-TEC-TRUE (1-800-832-8783)



| ITEM | PART NO.     | DESCRIPTION                        |
|------|--------------|------------------------------------|
| 1    | -----        | SPOUT, TRADITIONAL LAVATORY        |
| 2    | E12VPJKCP    | V.R. SOFTFLO AERATOR W/ KEY        |
| 3    | 3-024JKRCF   | KEY, VP                            |
| 4    | -----        | 6V LITHIUM BATTERY CR-P2 NOT SOLD  |
| 5    | 242.433.00.1 | KIT, AB MODULE & BATTERY HOLDER    |
| 6    | 242.432.00.1 | KIT, AB BONNET                     |
| 7    | 240.744.00.1 | SOLENOID VALVE                     |
| 8    | -----        | BODY, NOT SOLD SEPARATELY          |
| 9    | 240.753.00.1 | SHUT-OFF SCREW ASSEMBLY            |
| 10   | -----        | KIT, DECK MOUNTING HARDWARE        |
| 11   | -----        | SCREW, #6-32 X 1/4" PHIL RETAINING |
| 12   | 240.632.00.1 | SUPPLY TUBE ASSEMBLY               |