

**CHICAGO  
FAUCETS** 

a Geberit company

2100 South Clearwater Drive  
Des Plaines, IL 60018  
Phone: 847-803-5000  
Fax: 847-803-5454  
www.chicagofaucets.com

**REPAIR  
PARTS**

BY: SID DATE: 10-02-12

CHK:  REV:

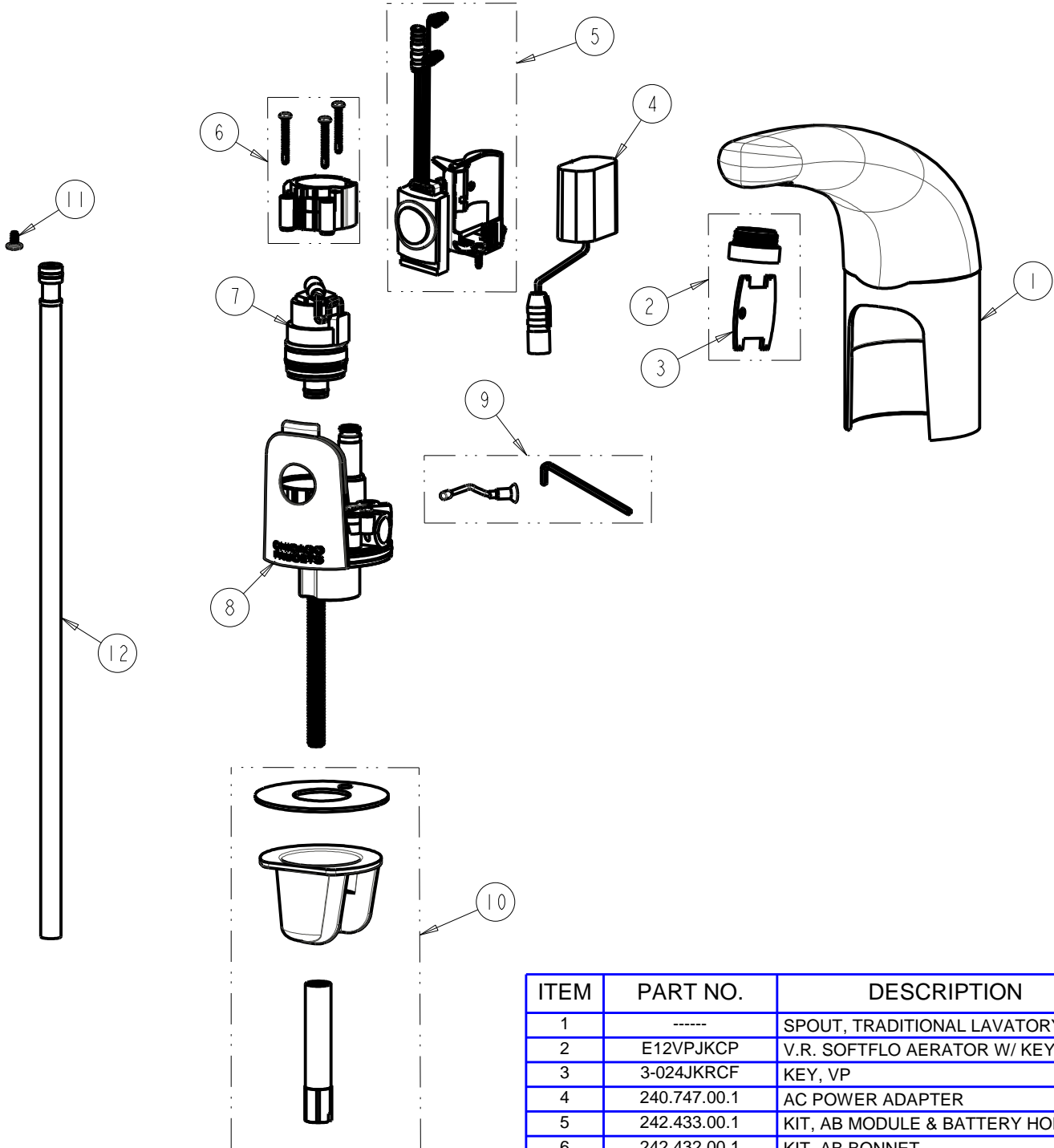
FITTING NO.

116.591.AB.1

SUBMITTED MODEL NO.

ITEM NO.

**FOR TECHNICAL ASSISTANCE**  
1-800-TEC-TRUE (1-800-832-8783)



ITEM	PART NO.	DESCRIPTION
1	-----	SPOUT, TRADITIONAL LAVATORY
2	E12VPJKCP	V.R. SOFTFLO AERATOR W/ KEY
3	3-024JKRCF	KEY, VP
4	240.747.00.1	AC POWER ADAPTER
5	242.433.00.1	KIT, AB MODULE & BATTERY HOLDER
6	242.432.00.1	KIT, AB BONNET
7	240.744.00.1	SOLENOID VALVE
8	-----	BODY, NOT SOLD SEPARATELY
9	240.753.00.1	SHUT-OFF SCREW ASSEMBLY
10	-----	KIT, DECK MOUNTING HARDWARE
11	-----	SCREW, #6-32 X 1/4" PHIL RETAINING
12	240.632.00.1	SUPPLY TUBE ASSEMBLY