

# PARTS LIST

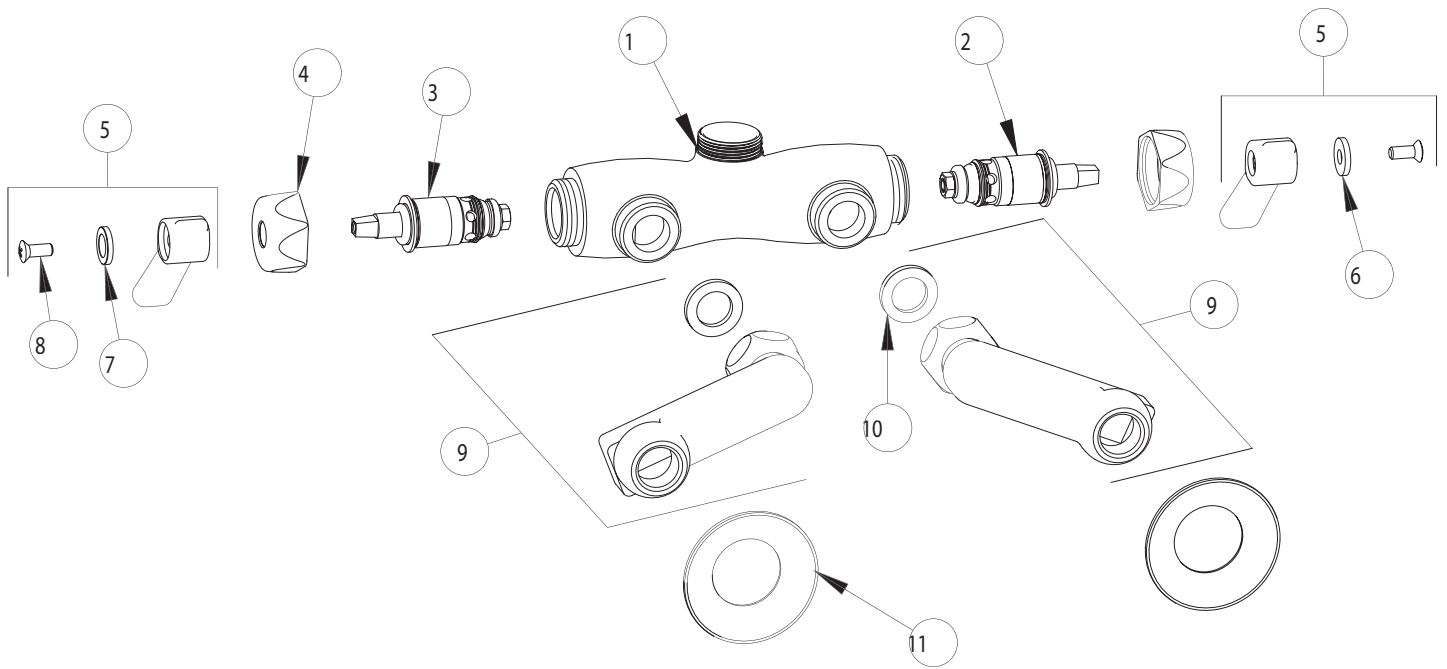
BY: SID  
CHK'D:



FINISH:  
DATE:

AS SPECIFIED  
09-04-01

445-LESSSPT



ITEM NO.	PART NO.	DESCRIPTION	ITEM NO.	PART NO.	DESCRIPTION
1	-----	VALVE BODY (NOT SOLD SEPARATELY)	7	633-123	INDEX BUTTON (BLUE)
2	1-100XT	QUATURN UNIT (LH)	8	420-010	SCREW
3	1-099XT	QUATURN UNIT (RH)	9	H	'H' ARM ASSEMBLY w/WASHER
4	444-005	CAP NUT	10	1-011	WASHER
5	369PR	LEVER HANDLE ASSEMBLY	11	1-055	FLANGE
6	633-023	INDEX BUTTON (RED)			