



a Geberit company

2100 South Clearwater Drive
Des Plaines, IL 60018
Phone: 847-803-5000
Fax: 847-803-5454
www.chicagofaucets.com

REPAIR PARTS

BY: JAR DATE: 10-31-13
CHK: REV:

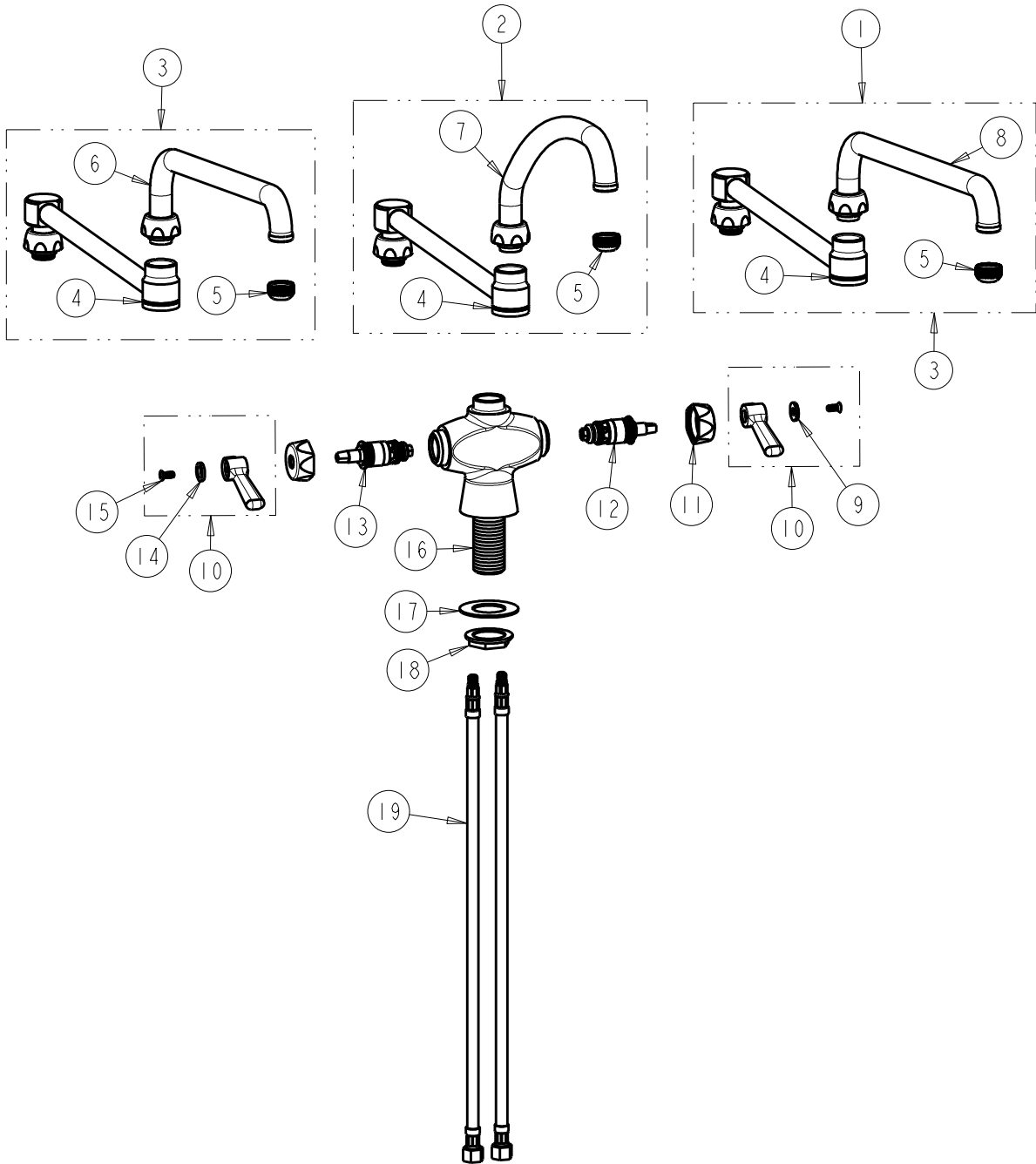
FITTING NO.

50-DJ-SERIES

SUBMITTED MODEL NO.

ITEM NO.

FOR TECHNICAL ASSISTANCE
1-800-TEC-TRUE (1-800-832-8783)



ITEM	PART NO.	DESCRIPTION	ITEM	PART NO.	DESCRIPTION
1	DJ26JKABCP	SPOUT, DOUBLE JOINTED 25-3/4" C-C	11	444-005JKCP	CAP
2	DJ21JKABCP	SPOUT, DOUBLE JOINTED 21-1/4" C-C	12	1-099XTJKABNF	QUATURN CARTRIDGE (RH)
3	DJ24JKABCP	SPOUT, DOUBLE JOINTED 23-3/4" C-C	13	1-100XTJKABNF	QUATURN CARTRIDGE (LH)
4	686-126KJKABCP	SPOUT ARM, SWING JOINT	14	633-023JKNF	INDEX BUTTON (RED)
5	E1JKABRCF	QUIXTOP OUTLET	15	420-010JKRCF	SCREW, 10-32 UNC PH 1/2
6	L12LEOJKAB	SPOUT, 12" C-C	16	-----	VALVE BODY (NOT SOLD SEPARATELY)
7	L9LEOJKAB	SPOUT, 9-1/2" C-C	17	50-014JKNF	STEEL WASHER
8	L15LEOJKABCP	SPOUT, 14" C-C	18	50-003JKRBF	LOCKNUT
9	633-123JKNF	INDEX BUTTON (BLUE)	19	250-025KJKABNF	HOSE, SS BRAIDED 5/16-24 X 3/8
10	369-PRJKCP	LEVER HANDLE ASSEMBLY (PAIR)			